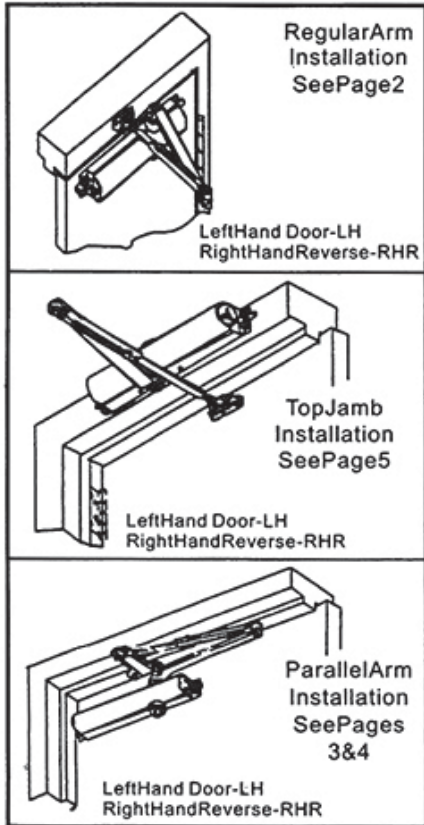
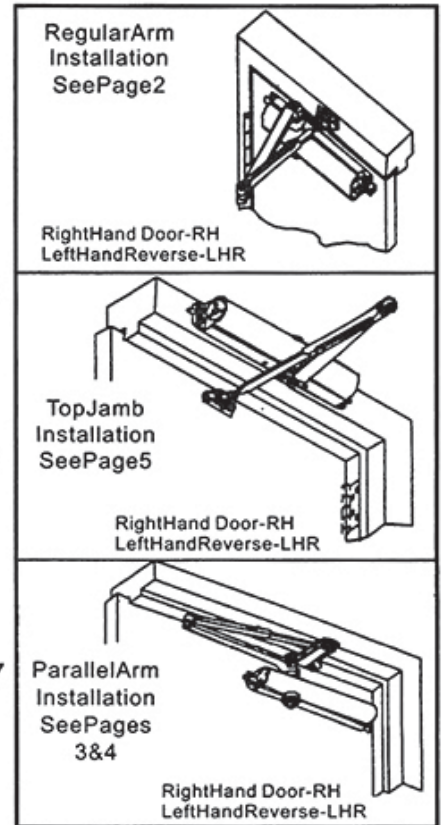


NON HANDED DOOR CLOSER

Non Hold Open Models
Adjustable Size (1 Thru 6)



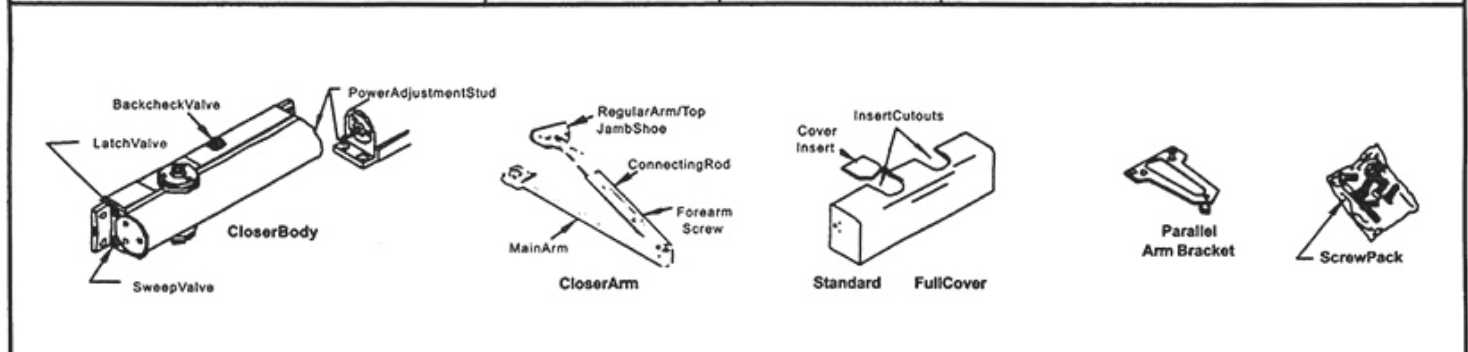
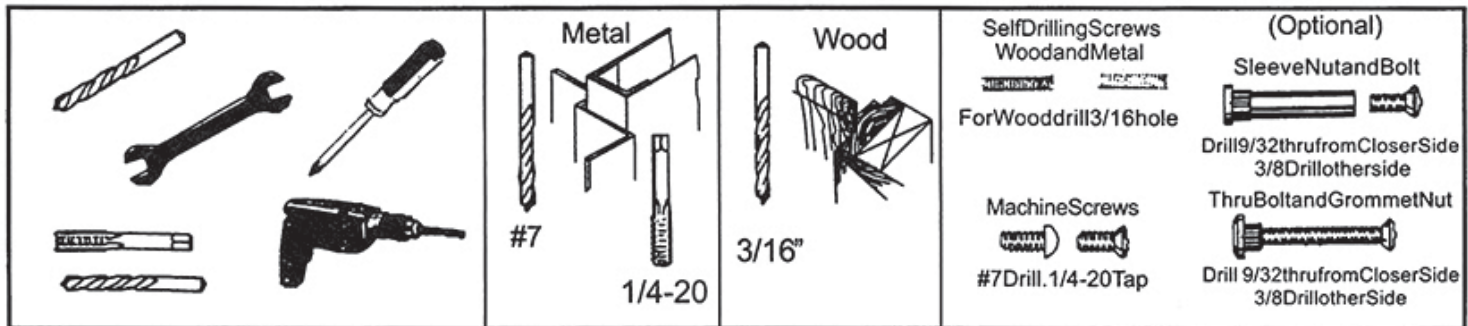
CAUTION
An incorrectly installed or improperly adjusted door closer can cause property damage or personal injury. These installation instructions should be followed to avoid the possibility of misapplication or misadjustment.



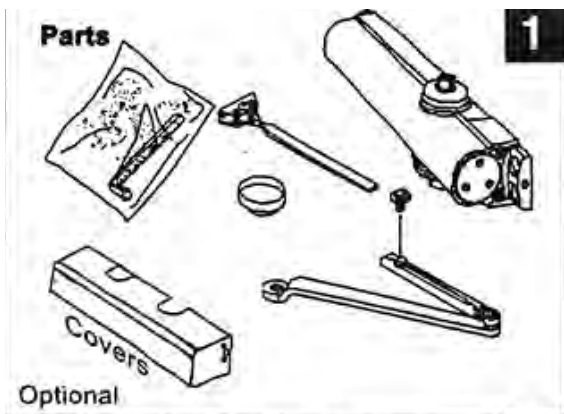
NOTE: For special applications a separate door and frame preparation template is packed with these instructions. Use this instruction sheet for installation sequence and closer adjustments only.

- Doors should be hung on ball bearing or Anti-friction hinges.
- A separate door stop is recommended.
- Door and frame must be properly reinforced.
- Adjust closing time speed between 3 and 7 seconds from 90° to 0°. Greater closing Times may be required for elderly or handicapped.

• These door closers should NOT be installed on the exposed side (weather side) of exterior doors.

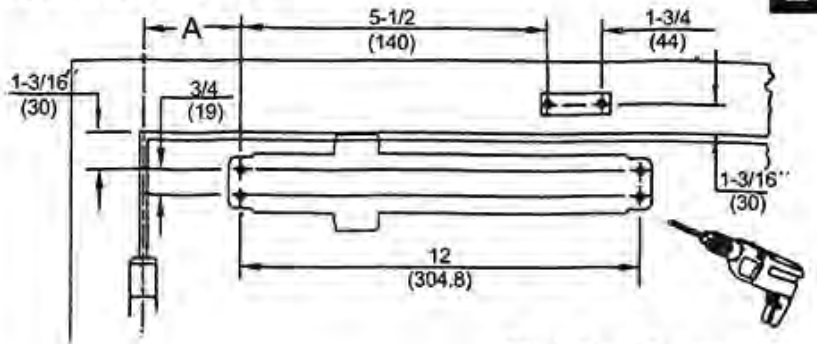


Non Hold Open Door Closer – Regular Arm

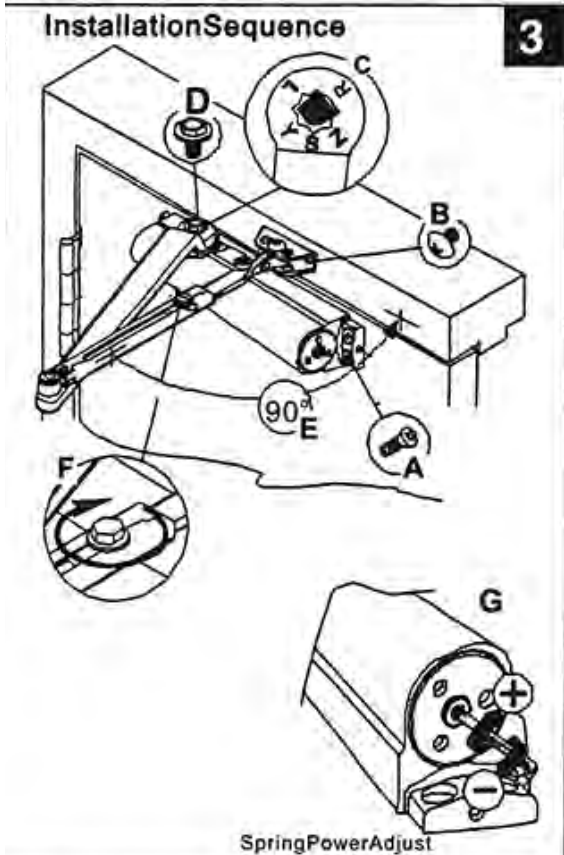


2

Mark and Drill Holes



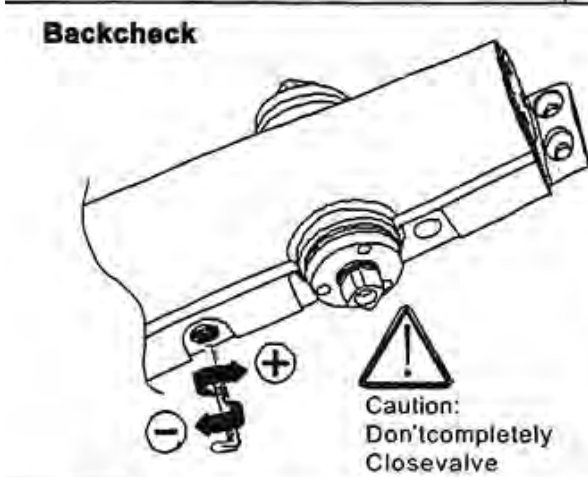
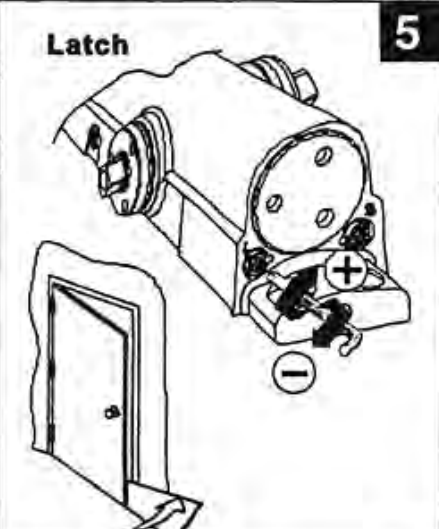
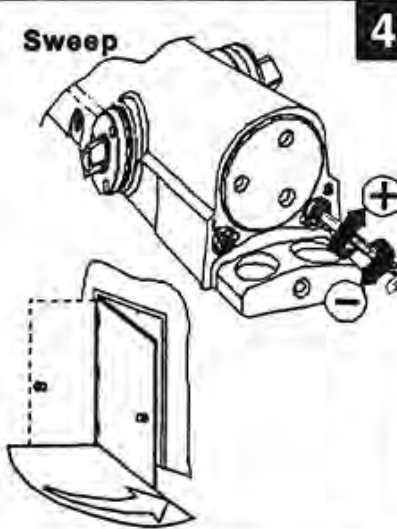
Right Hand Shown



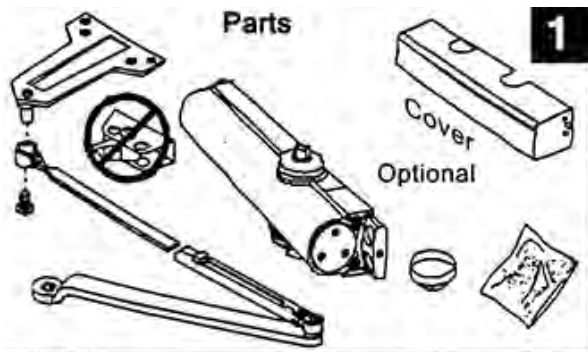
Opening	Dimension A
To 100°	7-1/2 (191)
101° to 130°	6 (152)
131° to 180°	4-1/2 (114)

Inches
(mm)

* Door/Wall/Hardware/Jamb conditions permitting

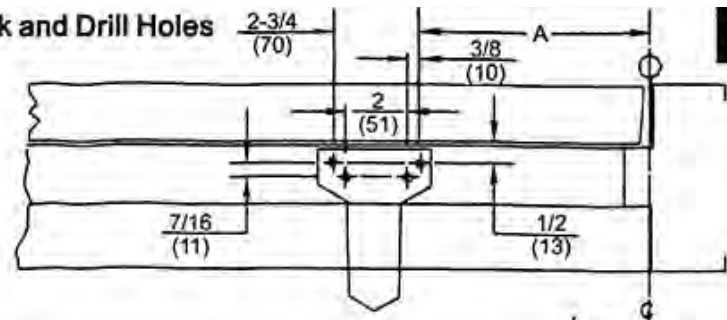


Non Hold Open Door Closer - Parallel Arm



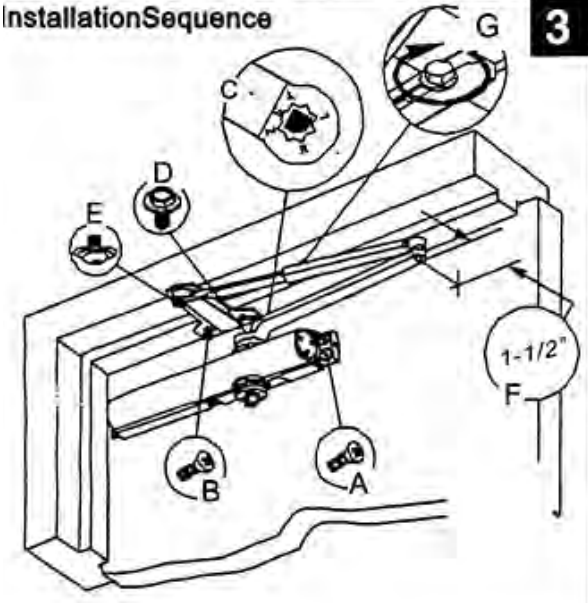
1

Mark and Drill Holes

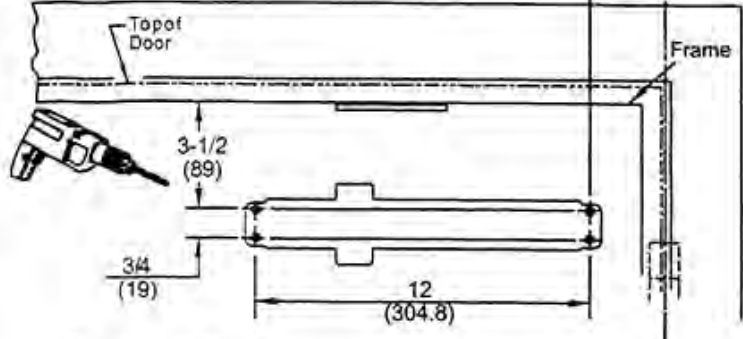


2

Installation Sequence



3



Right Hand Shown

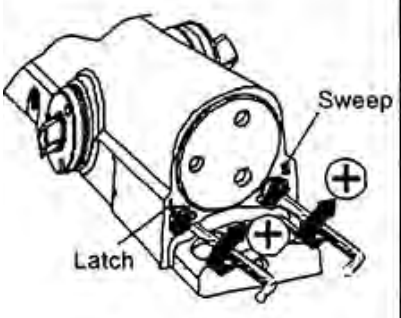
Inches
(mm)

Door Opening	A	B
To 120°	9-1/2 (241)	3-3/4 (95)
*121 to 180°	7 (178)	1-1/4 (32)

* Door/Wall/Hardware/Jamb conditions permitting

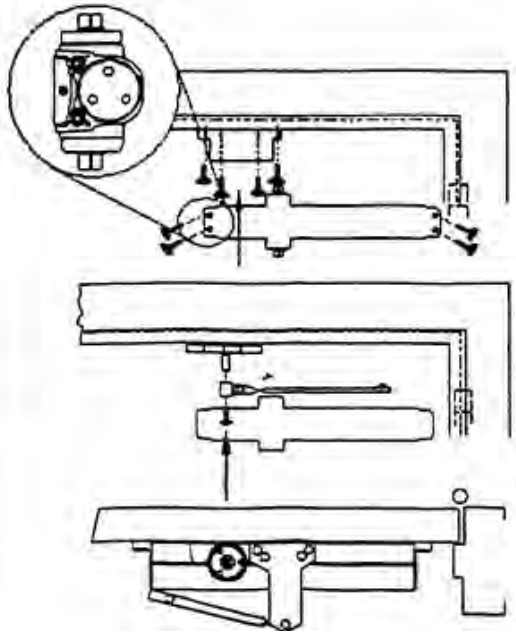
Close Valves

4



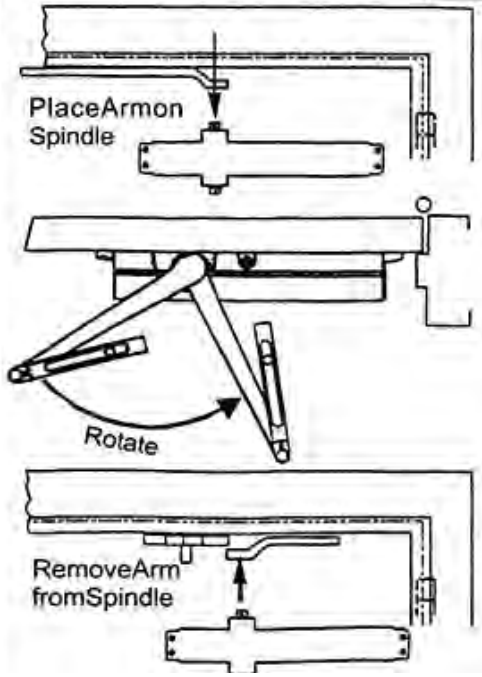
Install Closer and Bracket

5

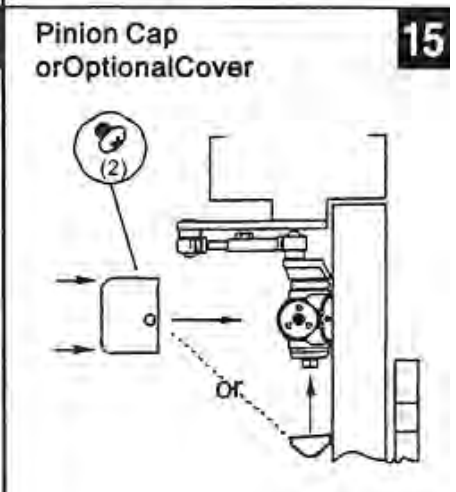
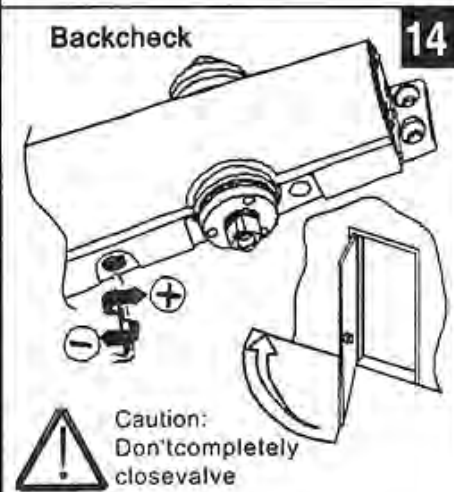
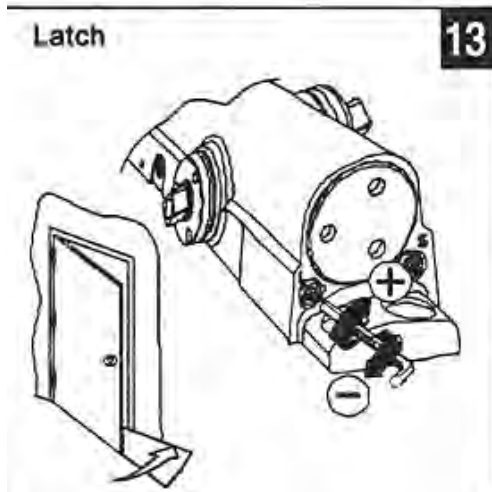
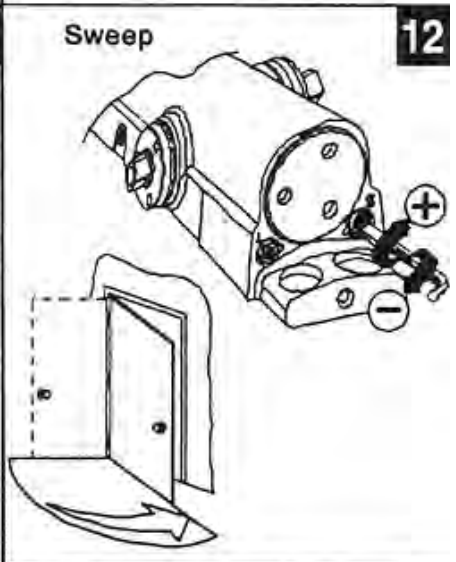
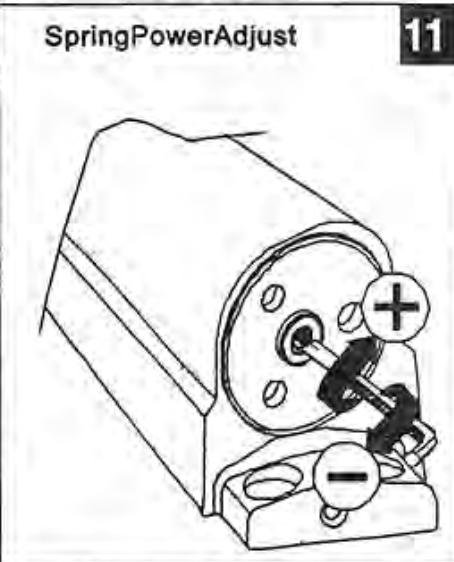
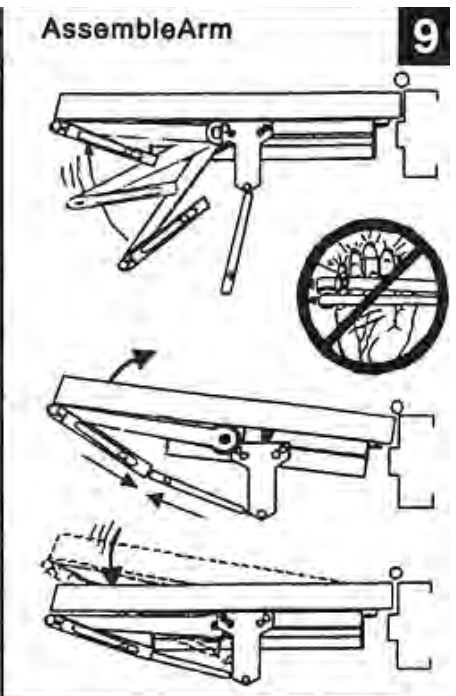
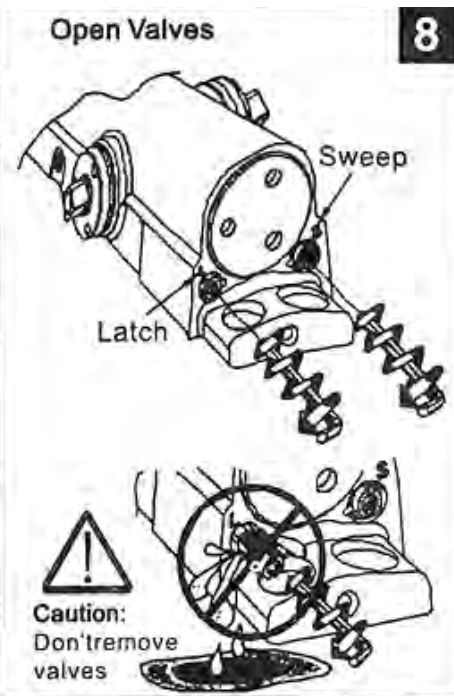
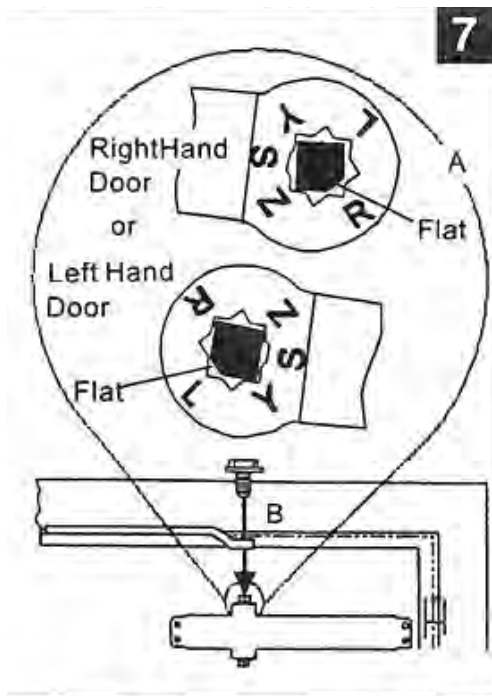


Preload Closer

6

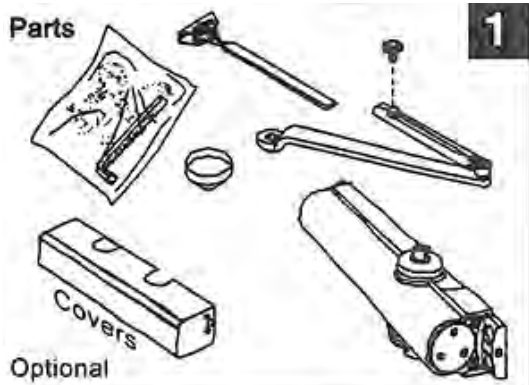


Non Hold Open Door Closer - Parallel Arm



Non Hold Open Door Closer – Top Jamb Arm

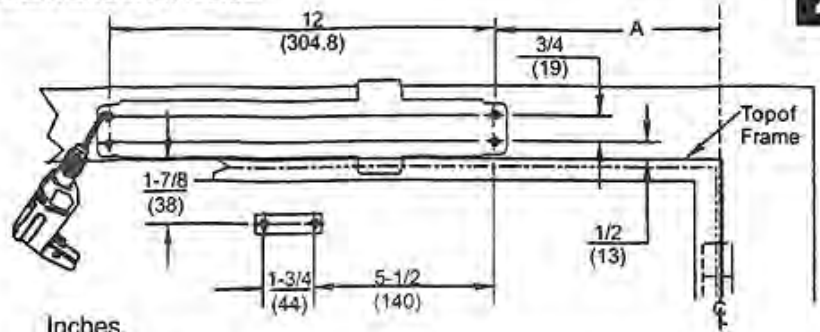
Parts



Optional

1

Mark and Drill Holes



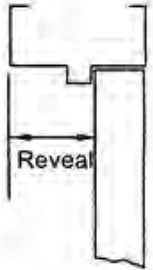
Inches

(mm)

Right Hand Shown* Door/Wall/Hardware/Jamb conditions permitting

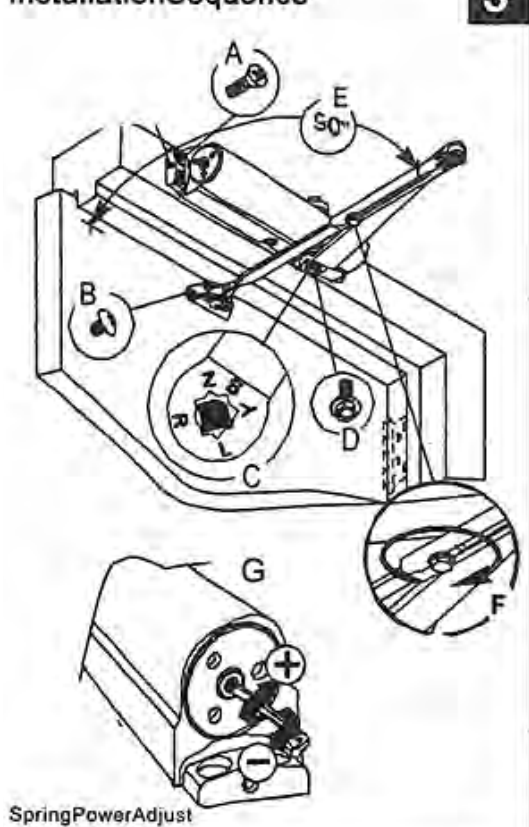
Opening	Dimension "A"
To 100°	7-1/2 (191)
101° to 130°	6 (152)
131° to 180°	4-1/2 (114)

Alonger connecting rod is required for reveals greater than 3 (76)



2

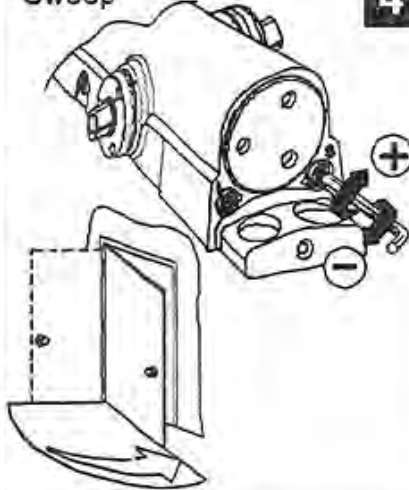
Installation Sequence



Spring Power Adjust

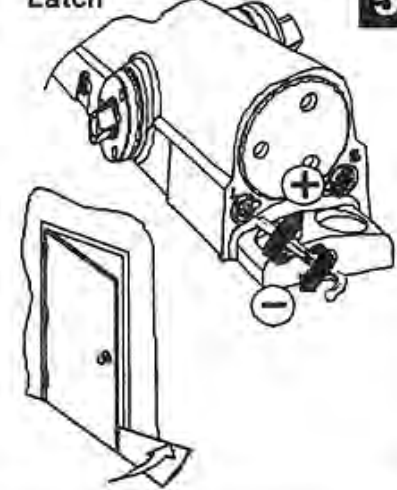
3

Sweep



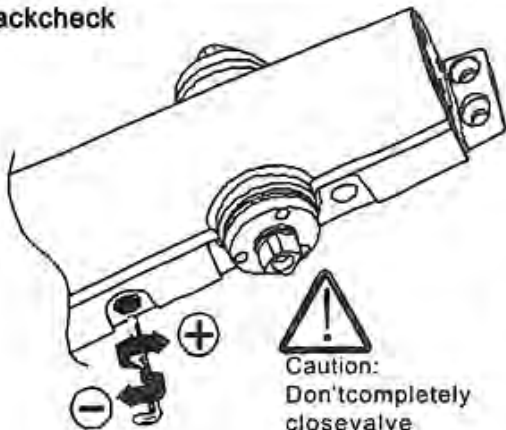
4

Latch



5

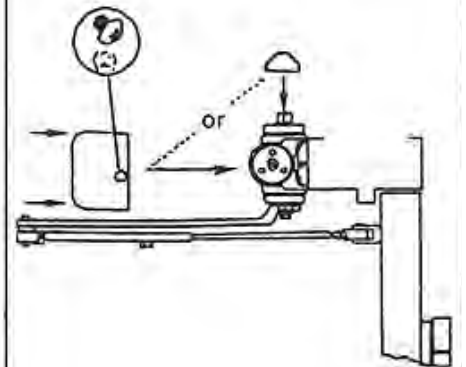
Backcheck



Caution:
Don't completely close valve

6

Pinion Cap or Optional Cover



7

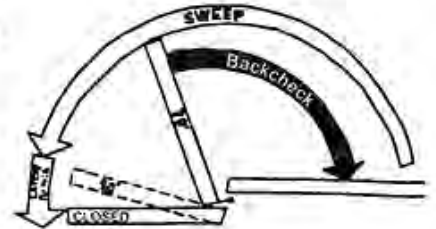
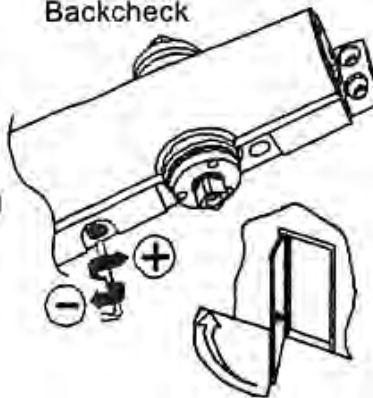
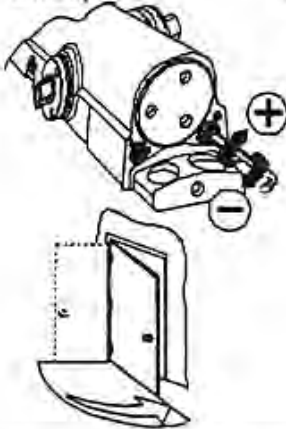
Adjustment Page

Sweep

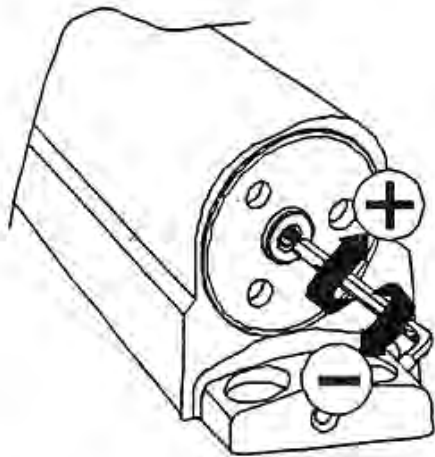
(Use 1/8" Hex Wrench for these Adjustments)

Latch

Backcheck



Spring Power Adjust



(Use 1/8 Hex Wrench for this Adjustment)

POWER ADJUSTMENT CHART

MAXIMUM DOOR WIDTH		FULL TURNS REQUIRED
EXTERIOR DOORS	INTERIOR DOORS	
—	5lb-f*	5 TURNS C.C.W.
8.5lb-f*	34"(864)	3 TURNS C.C.W.
30"(762)	38"(962)	0 TURNS
36"(914)	48"(1219)	5 TURNS C.W.
42"(1067)	54"(1372)	10 TURNS C.W.
48"(1291)	60"(1542)	15 TURNS C.W.

*15 Full (360°) turns maximum available
Closer was set down as size 3 from the factory originally.

Arm Placement in Shoe

